

# Up and Over Garage Doors. Canopy Gear Type

Door height			=H1+50	=H1-20	=H1-90				
imp	mm	H1	H2	H3	H4	H5	H6	R	C
6'4"	1931	1931	1981	1911	1841	1300	49	675	625
6'6"	1981	1981	2031	1961	1891	1300	49	725	657
6'10"	2085	2085	2135	2065	1995	1300	49	825	775
7'0"	2134	2134	2184	2114	2044	1300	49	880	825

H1 = Internal Frame Height

H2 = Minimum Height from floor to underside of ceiling

H3 = Minimum Brickwork Opening Height

H4 = Clear Drive Through Height (Internal Hand le is the lowest point)

H5 = How far the door extends into the garage from the back of the brickwork opening

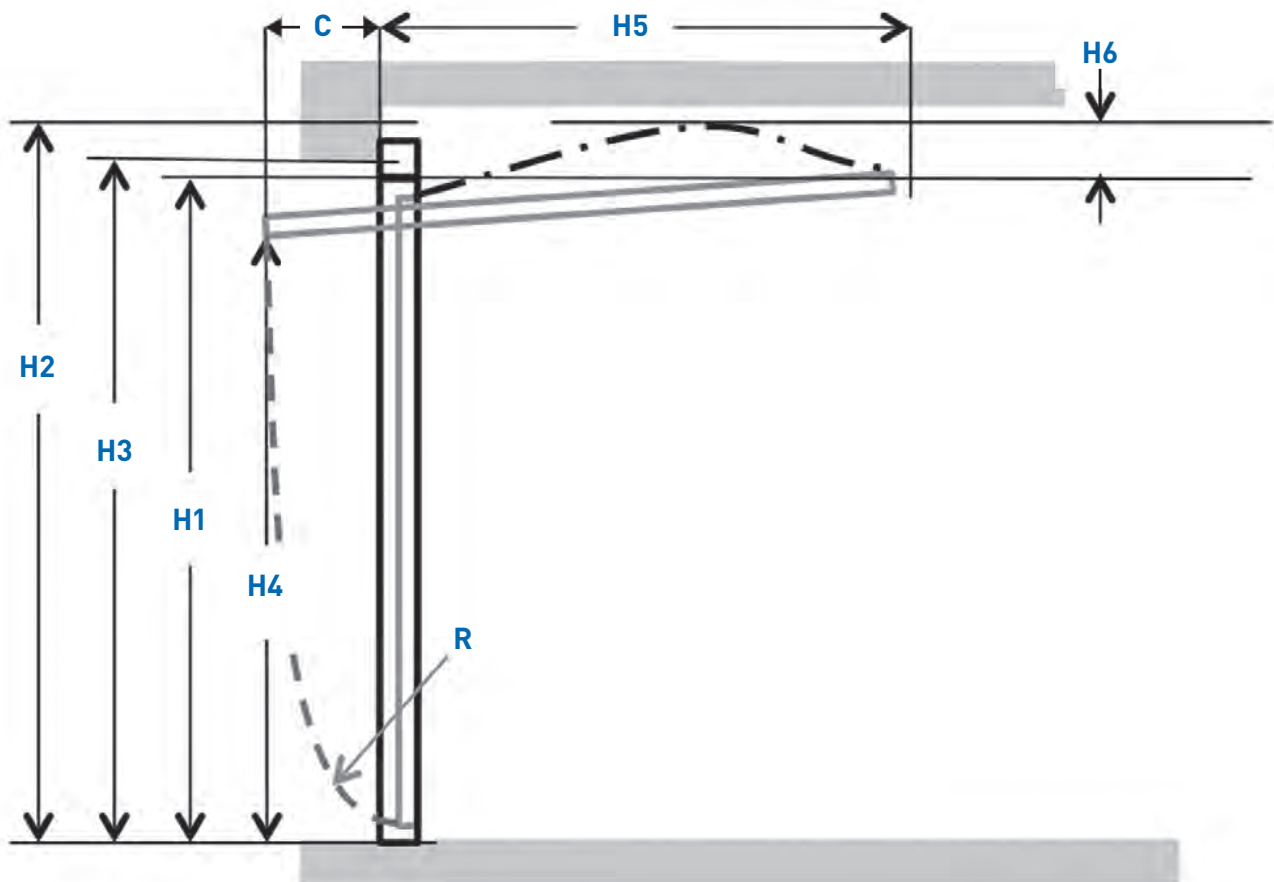
H6 = Kick Up (The height above the Internal Frame Height the door panel rises during the opening cycle)

R = The Arc of travel of the bottom edge of the door

C = The canopy (How far the door protrudes from the frame front)

Note:- The Kick up is greater than the frame Lintel Height and peeks above the Lintel at

1100mm into the garage from the frame front

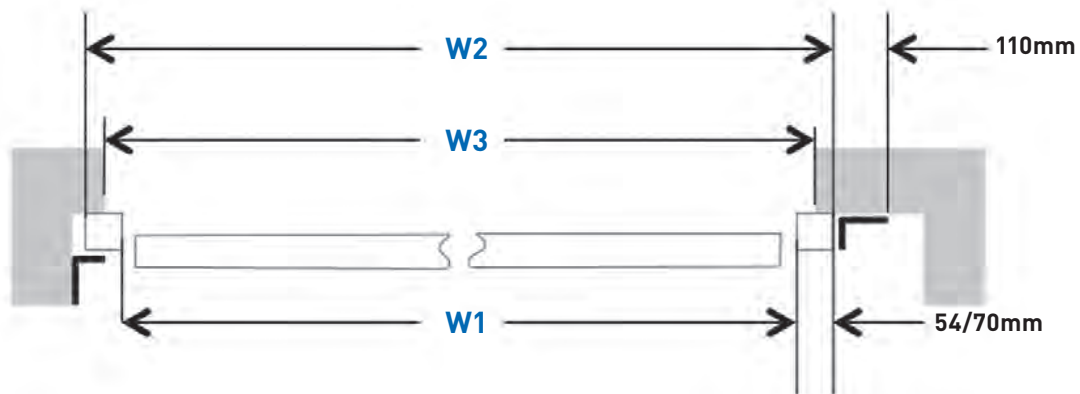


# Up and Over Garage Doors. Canopy Gear Type

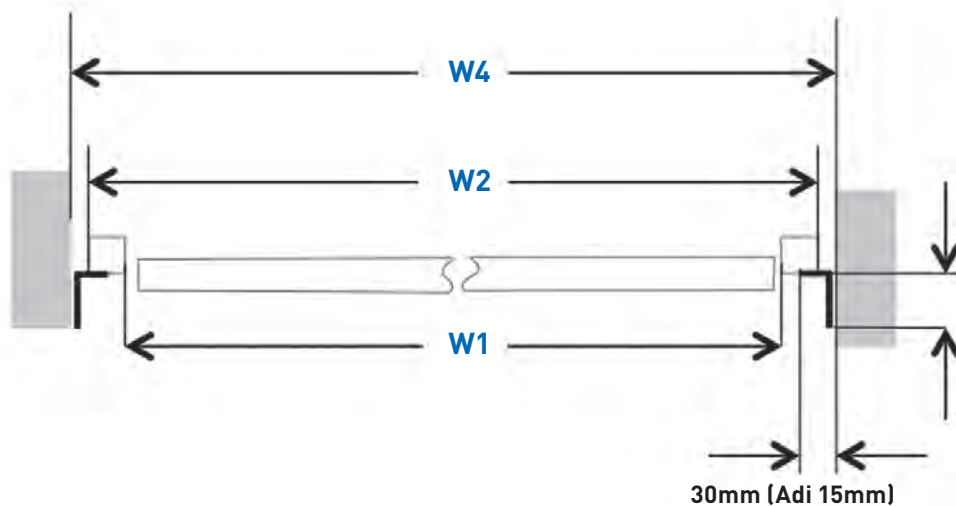
		Common dimensions			54mm wide frame	70mm wide frame
Door width				=W1+24	=W1+114	=W1+146
imp	mm	W1	W2	W3	W4	W4
6'10"	2085	2085	2193	2109	2199	2231
7'0"	2134	2125	2233	2149	2239	2271
7'3"	2210	2210	2318	2234	2324	2356
7'5"	2261	2261	2369	2285	2375	2407
7'6"	2286	2286	2394	2310	2400	2432
8'0"	2438	2440	2548	2548	2554	2586

W1 = Internal Frame Width  
 W2 = Overall Frame Size Width  
 W3 = Minimum Brickwork Opening (fitting behind)  
 W4 = Recommended Brickwork Opening Width

## Fitting behind the opening



## Fitting within the opening



# Up and Over Garage Doors. Single Retractable Gear Type

Door height			=H1+45	=H1-20	=H1-90			
imp	mm	H1	H2	H3	H4	H5	R	C
6'6"	1981	1981	2025	1961	1860	1735	750	225
7'0"	2134	2134	2180	2114	2010	1890	870	265

H1 = Internal Frame Height

H2 = External Frame Height

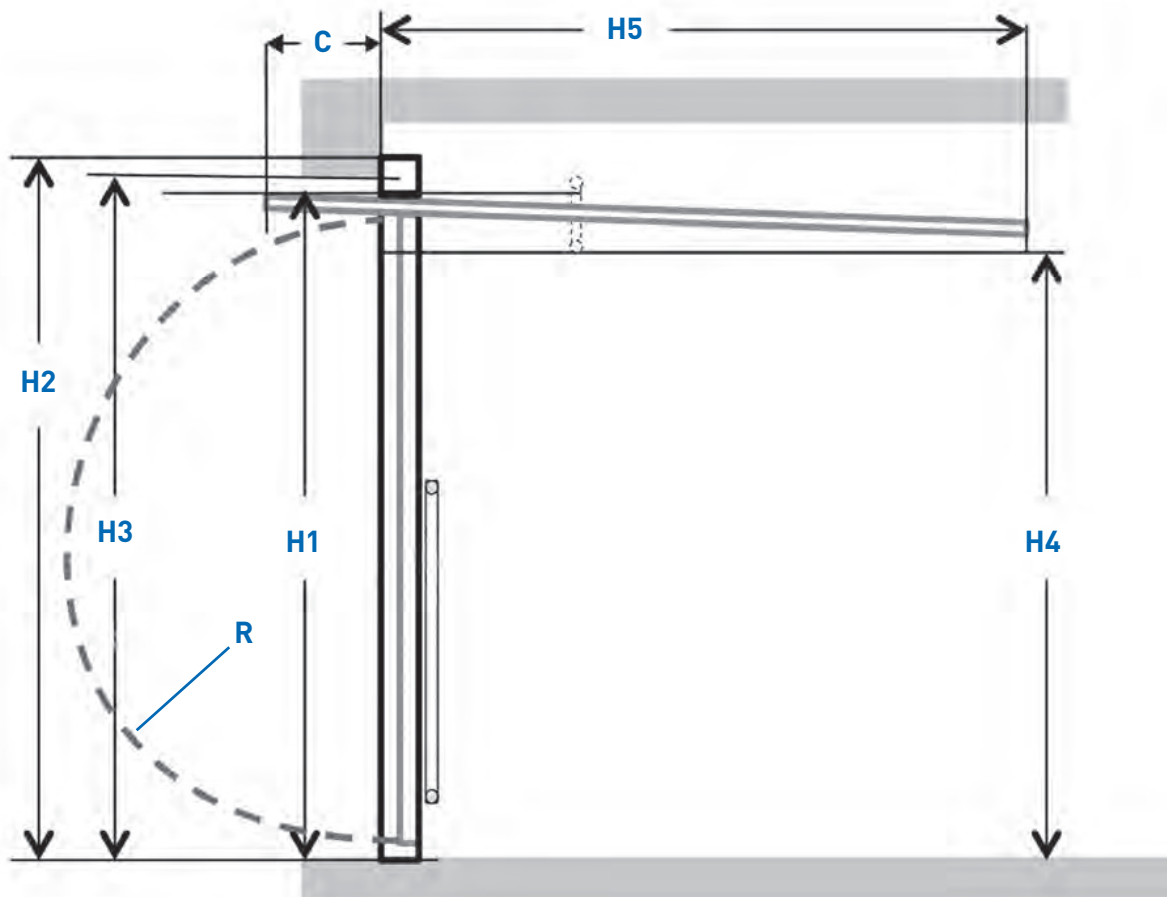
H3 = Minimum Brickwork Opening Height

H4 = Clear Drive Through Height (internal handle is the lowest point)

H5 = How far the door extends into the garage

R = The arc of travel of the bottom edge of the door

C = The canopy (how far the door protrudes from the frame front)



# Up and Over Garage Doors. Single Retractable Gear Type

Door width		common dimesnsions				70mm wide frame	
			=W1+24	=W1-100	=W1-36	=W1+140	=W1+160
imp	mm	W1	W2	W3A	W3B	W4	W5
6'10"	2085	2085	2109	1985	2049	2225	2245
7'0"	2134	2134	2158	2034	2098	2274	2294
7'3"	2210	2210	2234	2110	2174	2350	2370
7'5"	2261	2261	2285	2161	2225	2381	2421
7'6"	2286	2286	2310	2186	2250	2426	2446
8'0"	2438	2438	2462	2338	2402	2580	2598

**W1** = Internal Frame Width

**W2** = Minimum Brickwork Opening (fitting behind)

**W3A** = Clear Drive through Width - Above the Crank of the Pivot Arm

**W3B** = Clear Drive through Width - Below the Crank of the Pivot Arm

**W4** = External Frame Width

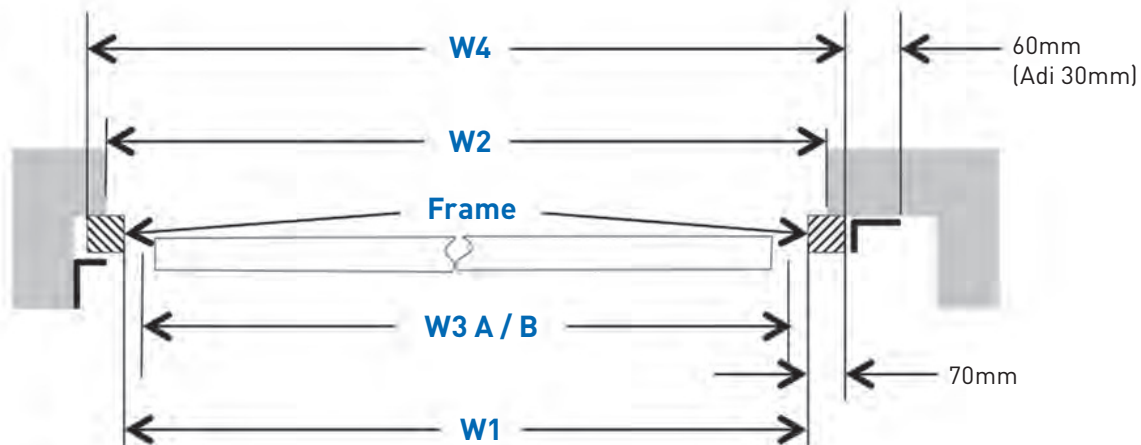
**W5** = Recommended Brickwork Opening Width (fitting between)

**NOTE** - The crank in the pivot arm is

1000mm from the floor on a 1981mm high door

1100mm from the floor on a 2134mm high door

## Fitting behind the opening



## Fitting within the opening

